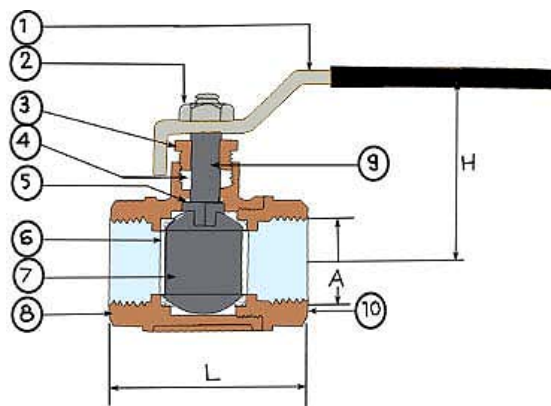


BALL VALVE

STANDARD PATTERN, FULL BORE, TEFLON SEATS AND SEALS WITH STAINLESS STEEL BALL AND SPINDLE, M.S. PLATE HANDLE WITH SLEEVE, SCREWED FEMALE B.S.P. ENDS.



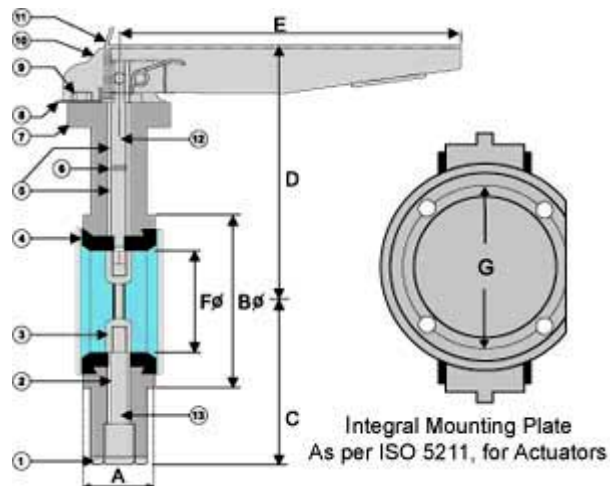
- **Maximum Working Pressure:** 14.6 Kg/cm² (200psig)
- **Max . Permissible Temp.:** 225°C (437°F)
- **Hydraulic Test Pressure:** 21.1 kg/cm² (300psig)

BUTTERFLY VALVES - WAFER TYPE



WAFER TYPE DESIGN

- DN 40 TO DN 300
- NODULAR CAST IRON BODY
- CENTRIC DISC IN S.G. IRON / S.S
- S.S DISC IN INVESTMENT CASTINGS
- QUARTER TURN OPERATION
- LOW TORQUE
- LOW FRICTION
- SELF LUBRICATING BEARINGS
- CORROSION FREE
- COMPACT DESIGN
- 100% LEAK TIGHT
- VACCUM TIGHT
- REPLACEABLE LINER

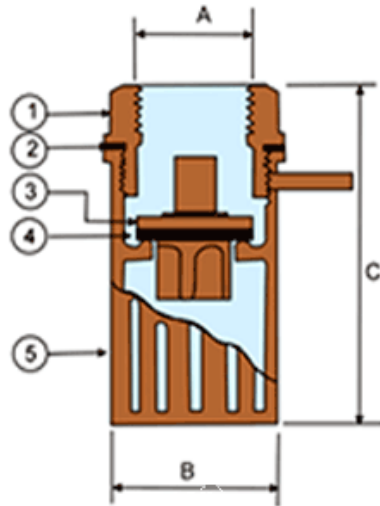


Foot Valve

Heavy pattern with Synthetic rubber seating & Stainless steel spring, Screwed Female ends B.S.P

15mm(1/2") To 50mm(2") sizes have rubber seating and 65mm(2-1/2") To 100mm(4") have metal to metal seating.

Hydraulic Test Pressure: 21.1 Kg/Cm² (300 Psig)

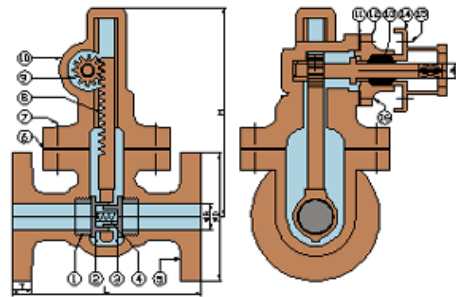


GLOBE STEAM STOP VALVE

Bolted Bonnet outside screw & yoke type Renewable Seat Rising stem with Back Seat Arrangement, Full Flow Area, Hand Wheel Operated.



PARALLEL SLIDE BLOW OFF VALVE



- **Steam Working Pressure:** 17.58Kg/cm²g (250 psig).
- **Max. Permissible Temp. :** 225⁰C (437⁰F)
- **Hydraulic Test Pressure :** 35.16 kg/cm²g (500 Psig)

BRONZE

'Y' TYPE STRAINER

Screwed in bonnet, Standard Pattern with Brass/Stainless Steel Screen. Screwed Female B.S.P ends , Flanged to BS : 10 table F

- **Max. Working Pressure:** 21.1Kg/cm²(300psig) Hyd.
- **Max. permissible temp:** 225°C (437°F)

